

[Products] you can identify with



Exo 800P Rigid

Omni-ID Exo 800P Rigid is a low profile, medium range, durable RFID tag optimized for attachment to plastic assets. It's thin design is ideal for attachment with little protrusion. The tag's global frequency ensures functionality tracking mobile assets worldwide.

RF Specification

Frequency Range	860 - 930 (GS)
Read Range	Up to 8m (on plastic)
On Metal or Balanced	Optimized for plastic containers
IC Type (Chip)	Alien Higgs 3
Memory	EPC - 96 bits User - 512 bits Unique TID - 64 bits

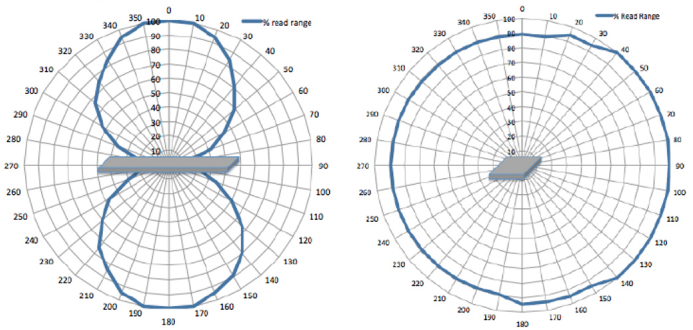
EPC and User memory are reprogrammable. UTID is locked at point of manufacture by IC manufacturer.

Physical Specifications

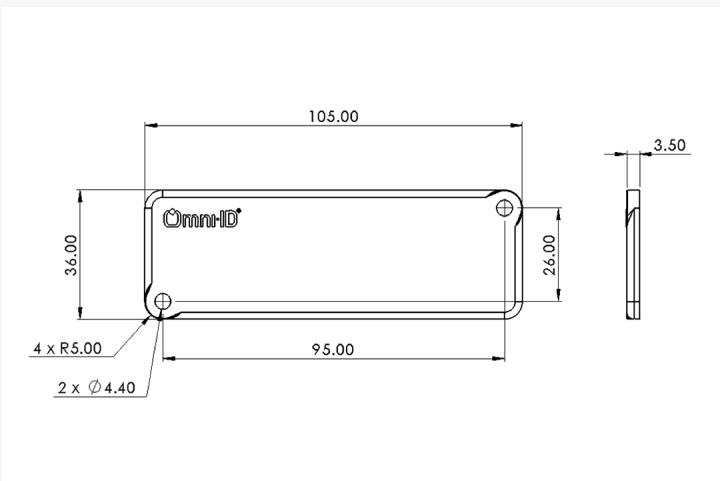
Material	ABS
Size	105 x 36 x 3.5 mm 4.1 x 1.4 x 0.14 in
Weight (g)	11.6
Attachment	Rivet / Scren (not supplied) or premium foam (option)

Radiation Patterns

On Plastic



Dimensions



Measurements shown in mm

[Products] you can identify with



The Omni-ID Exo 800P Rigid tag is ideally suited to yard management and logistics applications in:

- Plastic RTIs and containers
- Plastic pallets
- Non-metallic industrial assets

Environmental Specifications

Operating Temperature	-20°C to +85°C
Survivability	-20°C to +85°C
IP Rating	IP68
Shock & Vibration Tolerance	MIL-STD-810 G

Ordering Information

Warranty	1 year
Product Options	:303 (Customization) :508 (Premium foam) :701 (Standard Service Bureau)
Part Number / Order Codes / Order Numbers	104 - GS

Certifications

CE, RoHS



株式会社サイレンスネット www.silencenet.com

〒222-0033 横浜市港北区新横浜2-5-9 新横浜フジカビル tel. 045-475-1555 fax. 045-475-3275